

Nano Microminiature NDD & NDS Series Connectors



Board Mount

NDD - 25 P BR S - T S .109 A174

Series

NDS - Dual Lobe Nano, Single Row
(Consult account rep for other mode codes)
NDD - Dual Lobe Nano, Dual Row

Contact Arrangement

9, 15, 21, 25, 31, 37 & 51

Contact Type

P - Pin
S - Socket

Termination Type

BS - Straight PCB Thru- Hole Termination
BR - Right Angle PCB Thru- Hole Termination
BRS- Right Angle PCB Surface Termination

Hardware

T - Threaded Hole
N - No Hardware (Permitted with PCB Thru-Hole Only)

Wire Finish

S - Solder-Dipped
G - Gold (Standard)

Overall Wire Length (Inches)

.010 Inch Minimum and Must be Rounded to the Nearest Thousandth of an Inch

Examples:
.050 - 0.050 inch
.250 - 0.250 inch
1.000 - 1.000 inch

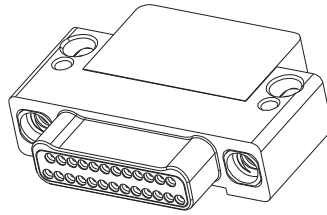
Hardware

S - Low Profile Jackscrew (Plugs Only) (Standard)
T - Threaded Hole (Receptacles Only)
N - No Hardware

Shell Finish/Mod Codes

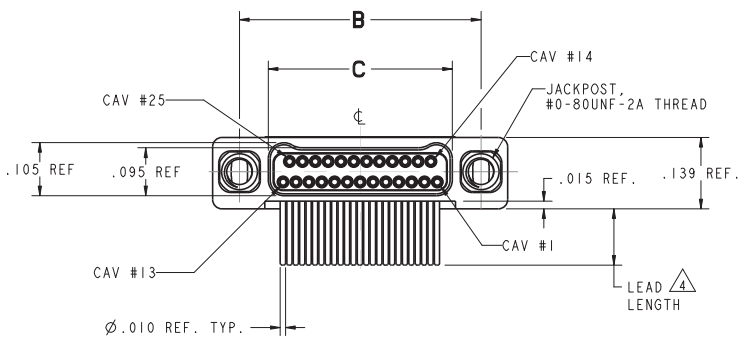
No Number/A101 - Yellow Chromate/Cadmium over Nickel (Not RoHS Compliant)
A174 - Electroless Nickel (RoHS Compliant)

Nano Microminiature NDD & NDS Series Connectors

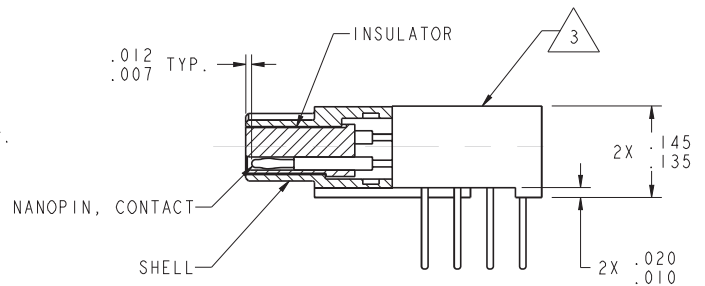


Board Mount Plugs | Dimensions

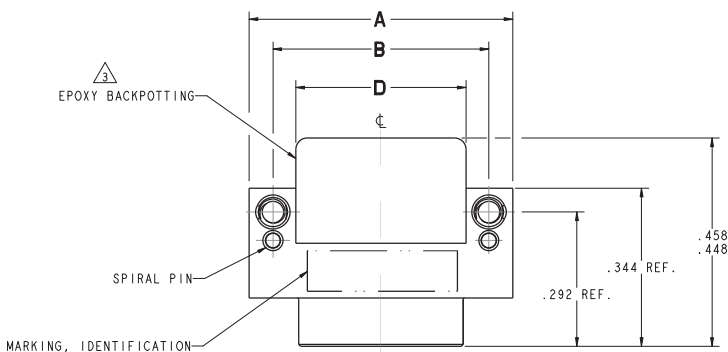
Size	A Ref.	B Ref.	C Ref.	D ±.005
9	.375	.270	.160	.170
15	.450	.345	.235	.245
21	.525	.420	.310	.320
25	.575	.470	.360	.370
31	.650	.545	.435	.445
37	.725	.620	.510	.520
51	.900	.795	.685	.695



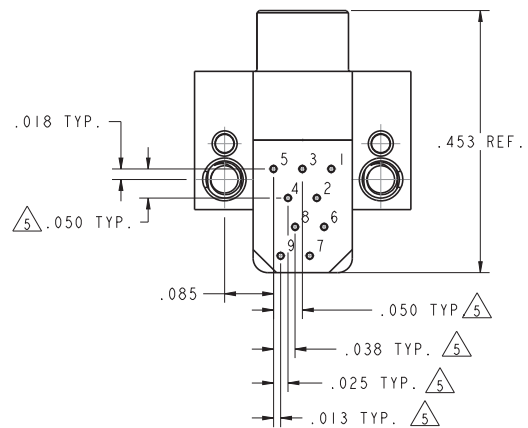
Front View



Side View



Top View

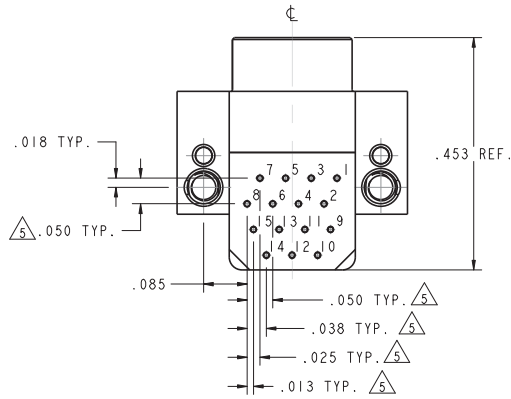


Size 9P

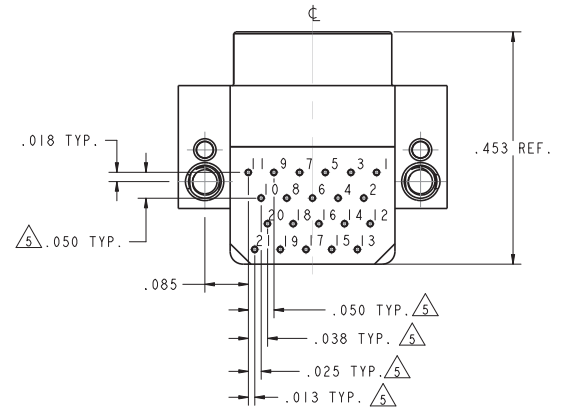
Dimensions shown in inches (mm)
Specifications and dimensions subject to change

Nano Microminiature NDD & NDS Series Connectors

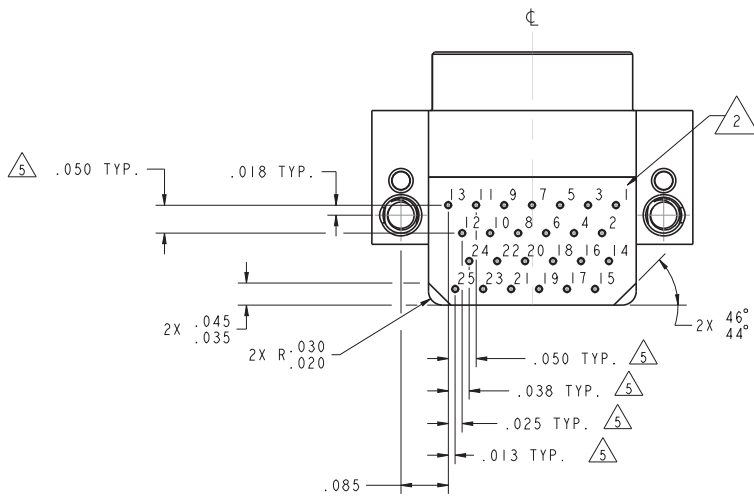
Board Mount Plugs | Dimensions



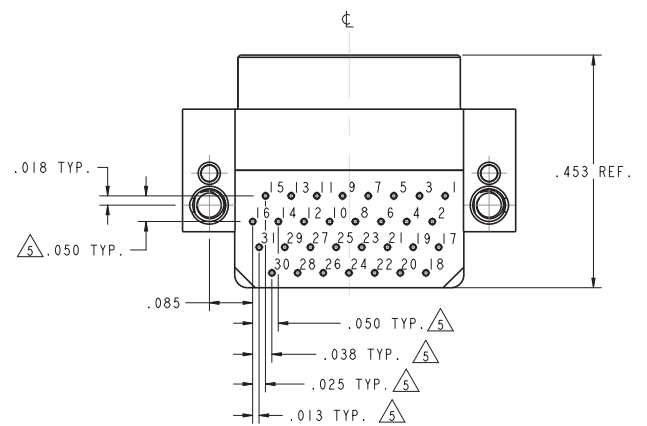
Size 15P



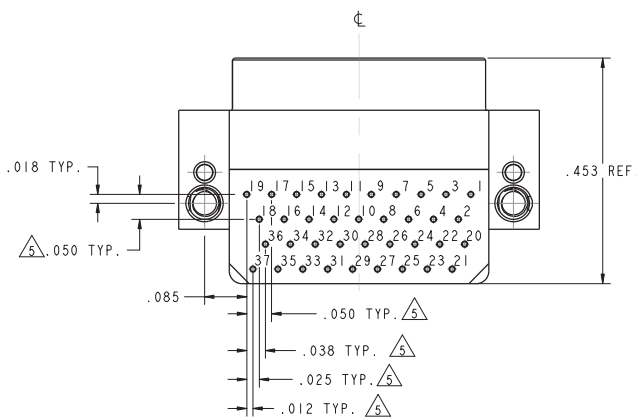
Size 21P



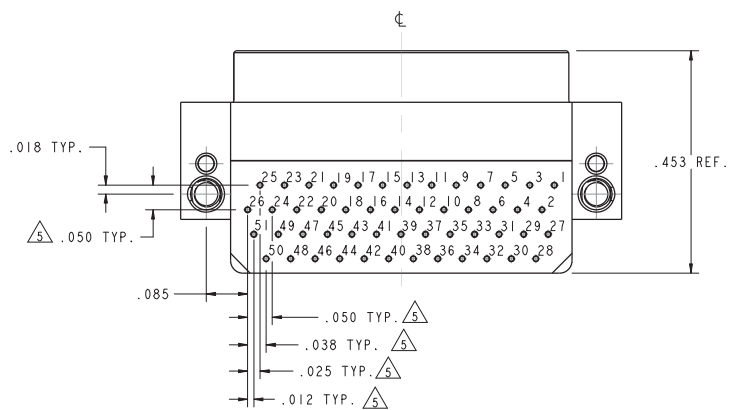
Size 25P



Size 31P



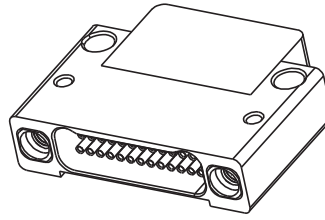
Size 37P



Size 51P

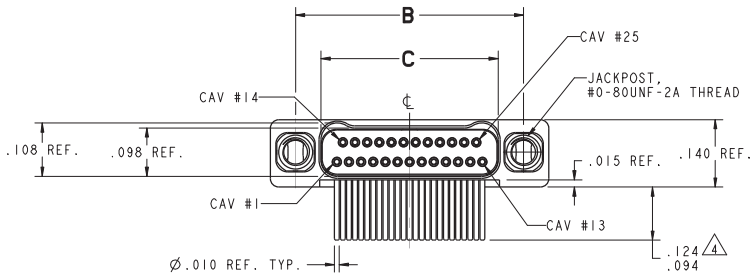
Dimensions shown in inches (mm)
Specifications and dimensions subject to change

Nano Microminiature NDD & NDS Series Connectors

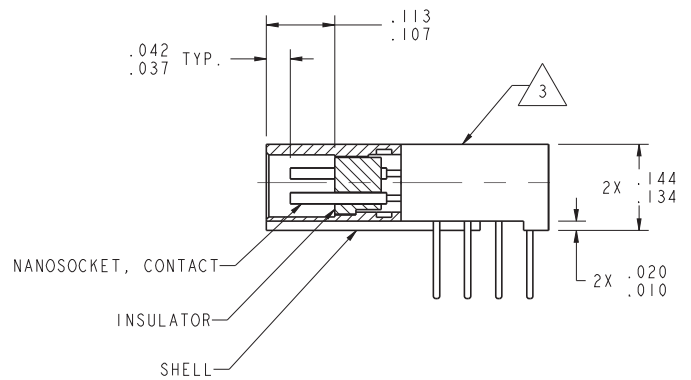


Board Mount Receptacles | Dimensions

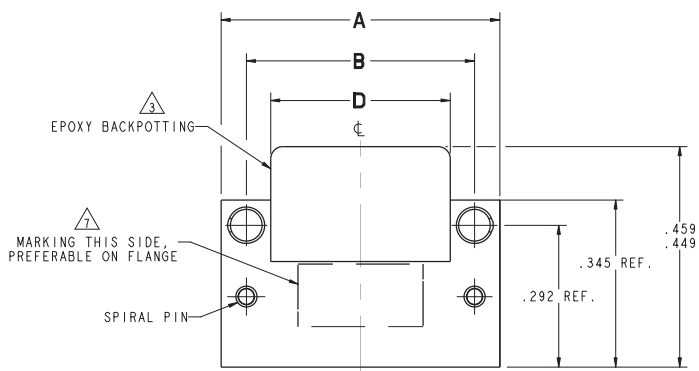
Size	A Ref.	B Ref.	C Ref.	D ±.005
9	.375	.270	.163	.170
15	.450	.345	.238	.245
21	.525	.420	.313	.320
25	.575	.470	.363	.370
31	.650	.545	.438	.445
37	.725	.620	.513	.520
51	.900	.795	.688	.695



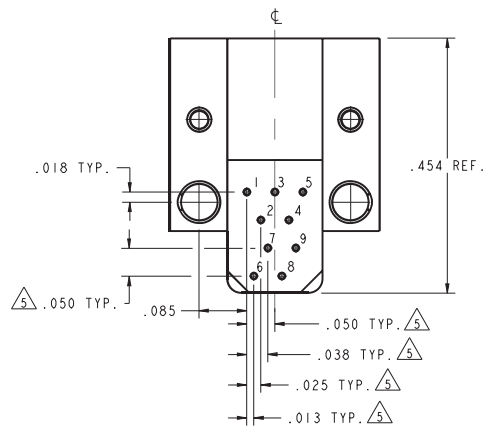
Front View



Side View



Top View

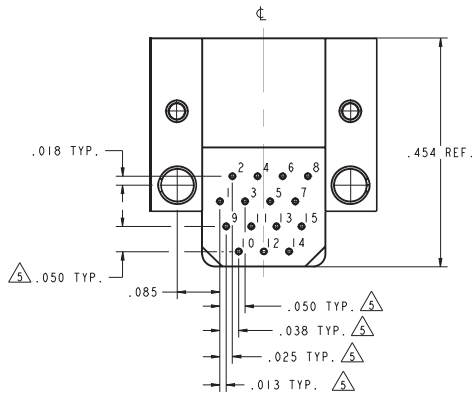


Size 9S

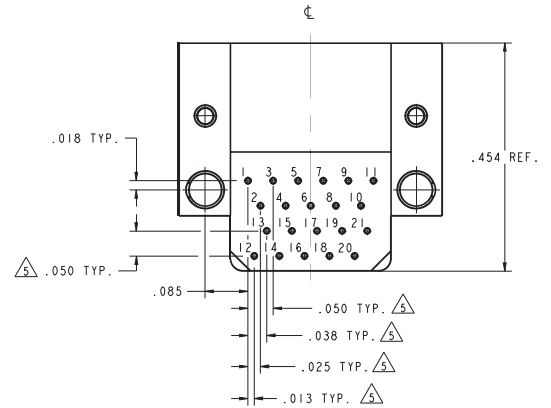
Dimensions shown in inches (mm)
Specifications and dimensions subject to change

Nano Microminiature NDD & NDS Series Connectors

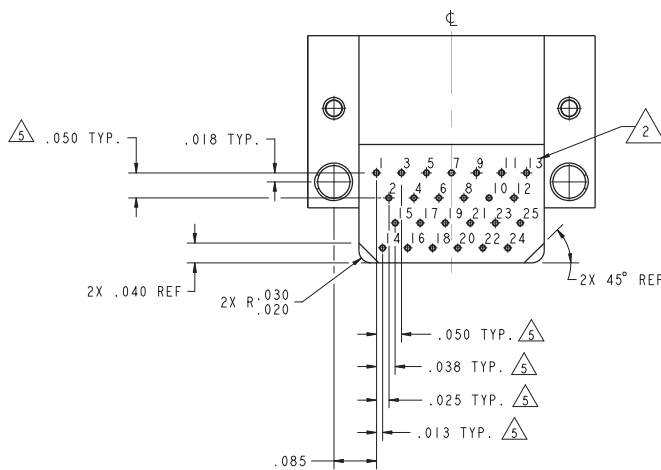
Board Mount Receptacles | Contact Arrangements



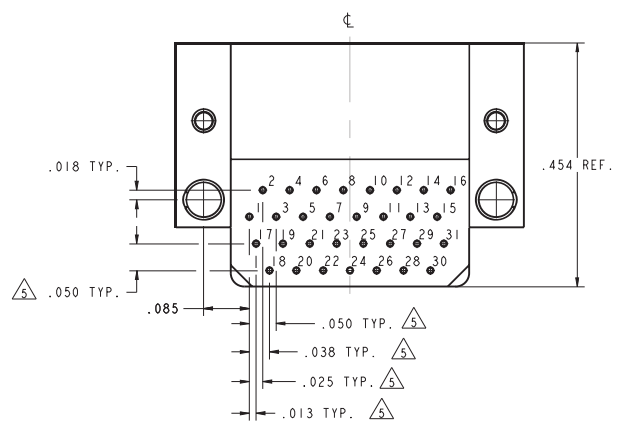
Size 15S



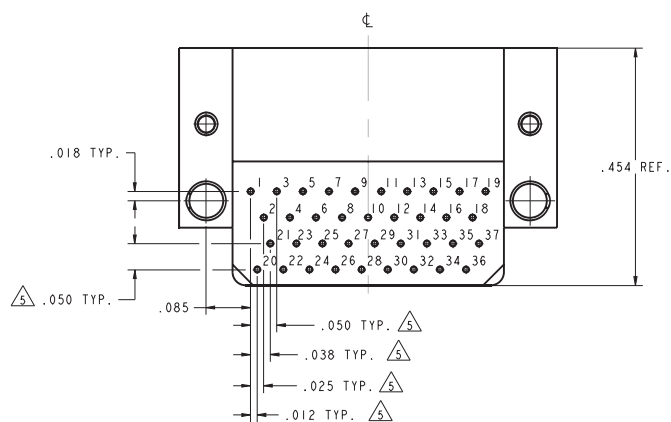
Size 21S



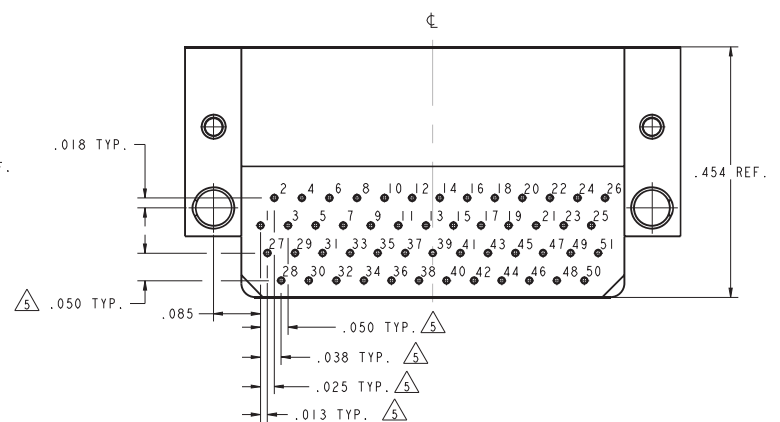
Size 25S



Size 31S



Size 37S



Size 51S

Dimensions shown in inches (mm)
Specifications and dimensions subject to change

Mouser Electronics

Authorized Distributor

Click to View Pricing, Inventory, Delivery & Lifecycle Information:

ITT Cannon:

[NDD-15PBRT-T-A174](#) [NDD-15SBRT-T-A174](#) [NDD-21PBRT-T-A174](#) [NDD-21SBRT-T-A174](#) [NDD-25PBRT-T-A174](#)
[NDD-25SBRT-T-A174](#) [NDD-31PBRT-T-A174](#) [NDD-31S0PY18T-A174](#) [NDD-31SBRT-T-A174](#) [NDD-37PBRT-T-A174](#)
[NDD-37S0PY18T-A174](#) [NDD-37SBRT-T-A174](#) [NDD-51PBRT-T-A174](#) [NDD-51S0PY18T-A174](#) [NDD-51SBRT-T-A174](#)
[NDD-9PBRT-T-A174](#) [NDD-9SBRT-T-A174](#)